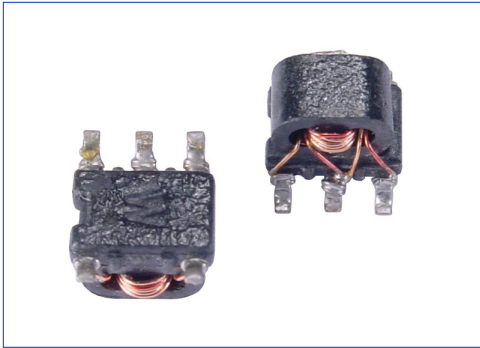


RF AND BALUN TRANSFORMERS

SR0804 SERIES

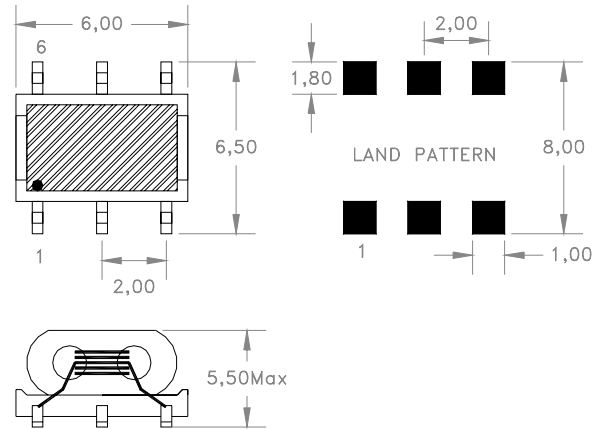


- RoHS Compliant Product
- Operating Temperature: -40°C to +85°C
- Custom Design Available
- Specification Subject to Change Without Notice

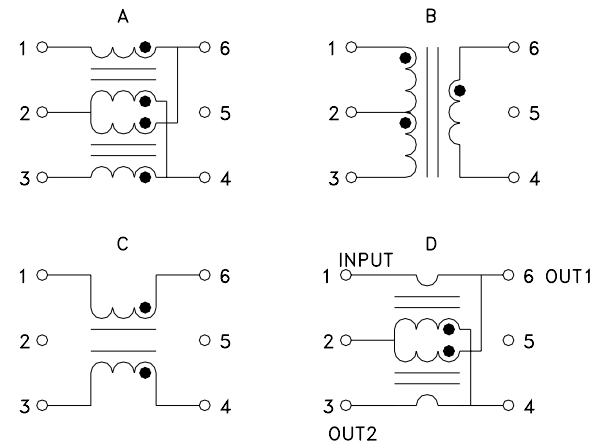
ELECTRICAL SPECIFICATION @ 25°C

PART NO	TURNS	FREQUENCY RESPONSE MHz	INSERTION LOSS dB Max	CIRCUIT
Double Balanced Mixer (50Ω:200Ω) (6-4:1-3)				
3A	3	15-1000	3	A
4A	4	10-800	3	A
5A	5	6-600	3	A
6A	6	1-400	3	A
Frequency Mixer (50Ω:200Ω) (6-4:1-2-3)				
2B	2:4CT	10-300	3	B
3B	3:6CT	6-480	3	B
4B	4:8CT	3-400	3	B
5B	5:10CT	0.5-300	3	B
Transmission line				
2C	2½	15-2400	3	C
3C	3½	10-1800	3	C
4C	4½	7.5-1500	3	C
5C	5½	1.0-1400	3	C
Splitter/Directional Coupler				
3D	3	45-1500	in-out1, 2dB in-out2, 10dB	D
4D	4	8-1200	in-out1, 1.5dB in-out2, 14dB	D
5D	5	5-1000	in-out1, 1.2dB in-out2, 16dB	D
10D	10	1-1000	in-out1, 1.5dB in-out2, 19dB	D

Mechanical



Schematic



* Pin 5 may be omitted as identification if no connection.

Dimensions

Unless otherwise specified, all tolerances are:
 inch: .XX : ± 0.015 .XXX : ± 0.004
 mm: X,X : ± 0.38 X,XX : ± 0.10

Product performance is limited to specified parameter. Data is subject to change without prior notice.

SR0804-XX
05463W



SHIRUI

HEFEI SHIRUI ELECTRONIC TECHNOLOGY CO.,LTD

sales@shiruitech.com
www.shiruitech.com